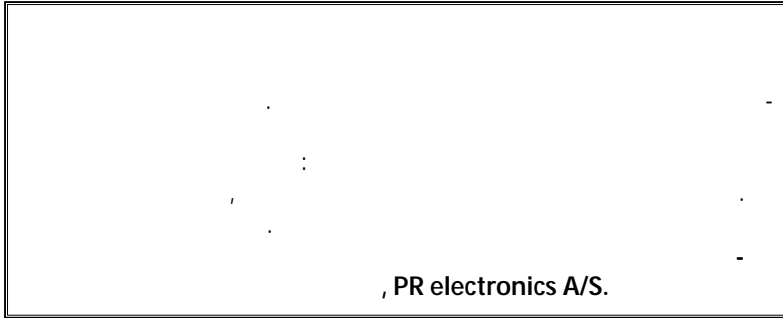
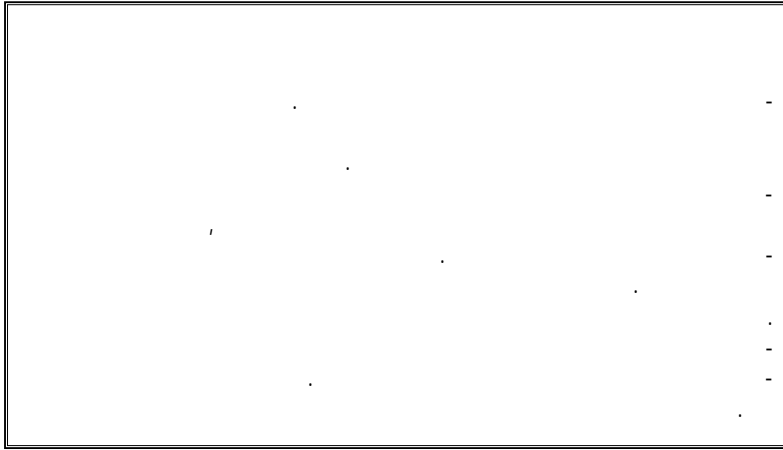
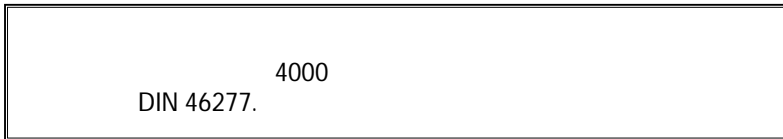


PREASY 4222

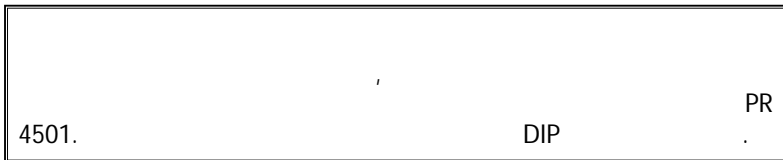
.....	2
.....	3
.....	5
4000.....	6
.....	7
.....	7
.....	7
- , PR 4501	8
.....	9
.....	10
.....	10
.....	13
4501:	13
.....	14
.....	14
.....	14
.....	14
.....	15
.....	16
/	17
.....	20
, 3 (ADV.SET).....	23
.....	24



, PR electronics A/S.



DIN 46277. 4000



4501.

DIP

PR



CE

75...1500 V

50...1000 V

PR electronics A/S, Lerbakken 10, 8410 Rønde,
Danmark, tlf: +45 86 37 26 77.

10 A.

2-

UL

60/75°C.

2.

..... 60°C

..... AWG 26-14

..... E231911

UL-

PR electronics A/S
Lerbakken 10
DK-8410 Rønde

4222

I/f

2004/108/EC

EN 61326-1

2006/95/

EN 61010-1

Rønde, 4

2008



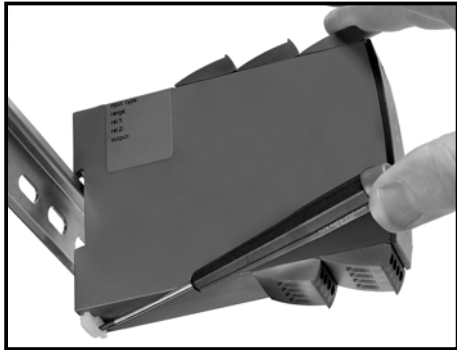
Peter Rasmussen

PR electronics A/S,

4000

I/f

PREASY 4222



.1:

DIN,

- Вход RTD, термодпары, mV, ом. сопротивления, mA и V
- Выход частоты NPN, PNP и TTL
- Генерируемые частоты 0,001...25000 Hz
- 2-проводная схема подключения питания > 16 V
- Универсальное питание AC или DC

• :
- (4501),

• :
• :
• 2-

• :
DIP-

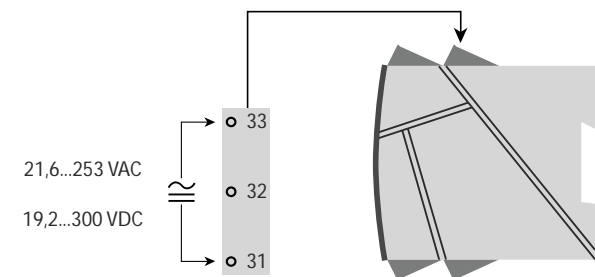
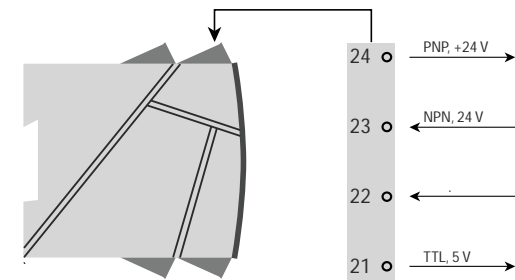
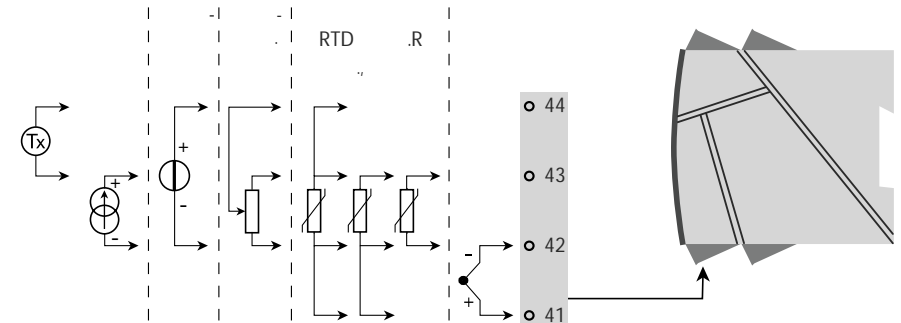
• 3 , 2,3 kVAC.

, PR 4501

Схемы применений



PReasy



- 4222.
- 4222
-
- 4- ; 1- 1 (5,57)
- ,2- (3,33)
- - UNIT. 3
- 4 (kHz, Hz, mHz, P/m, P/h, P/d)

TAG-

- 4222.

4222 =
4501 =

I/f

..... -20 +60°C
..... 21,6...253 VAC, 50...60 Hz
..... 19,2...300 VDC
..... ≤ 2,5 W
..... 400 mA T / 250 VAC
..... / ... 2,3 kVAC / 250 VAC
..... 60 dB (0...100 kHz)
(0...90%, 100...10%),
..... 1...60
mA- / V- 0,4...60
..... 20...28°C

4501

	≤ ±0,1%	≤ ±0,01% / °C

mA	≤ ±4 μA	≤ ±0,4 μA / °C
Volt	≤ ±20 μV	≤ ±2 μV / °C
Pt100	≤ ±0,2°C	≤ ±0,01°C / °C
. R	≤ ±0,1 Ω	≤ ±0,01 Ω / °C
	≤ ±0,1 Ω	≤ ±0,01 Ω / °C
E, J, K, L, N, T, U	≤ ±1°C	≤ ±0,05°C / °C
:B, R, S, W3, W5, LR	≤ ±2°C	≤ ±0,2°C / °C

..... < ±0,5%
NAMUR NE 21, A .. < ±1%

2- (44...43) .. 25...16 VDC / 0...20 mA
(.....) 1 x 2,5²
..... 0,5 Nm
..... < 95% (.....)
(x x) 109 x 23,5 x 104
(x x) 109 x 23,5 x 116
..... IP20
..... 155 / 170 4501

RTD,

Pt100 Ni100 . R	-200°C -60°C 0 Ω 10 Ω	+850°C +250°C 10000 Ω 100 kΩ	IEC60751 DIN 43760 - -

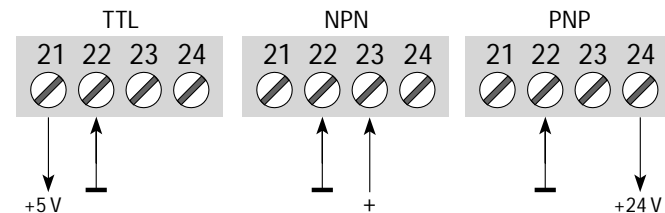
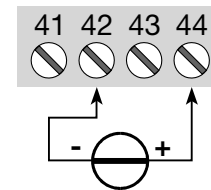
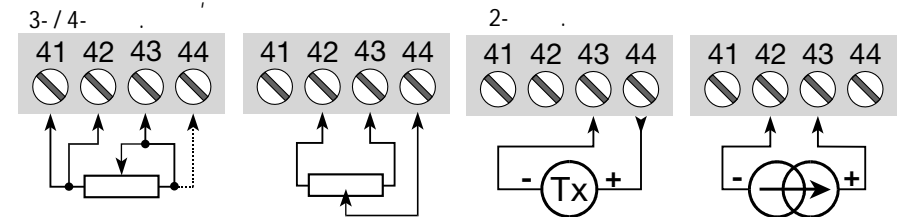
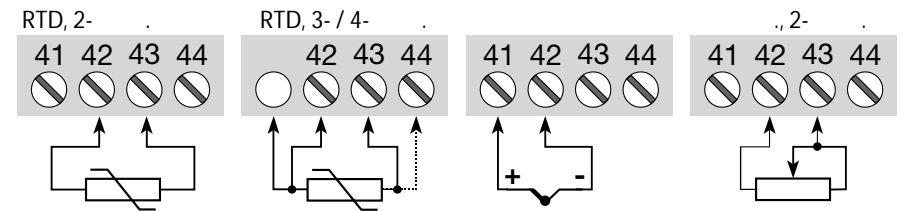
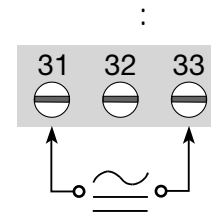
(RTD) :
Pt10, Pt20, Pt50, Pt100, Pt200, Pt250, Pt300, Pt400, Pt500, Pt1000
Ni50, Ni100, Ni120, Ni1000

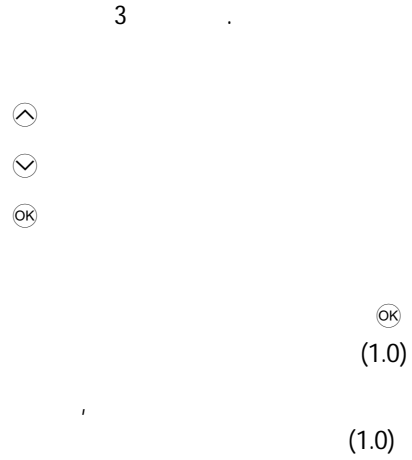
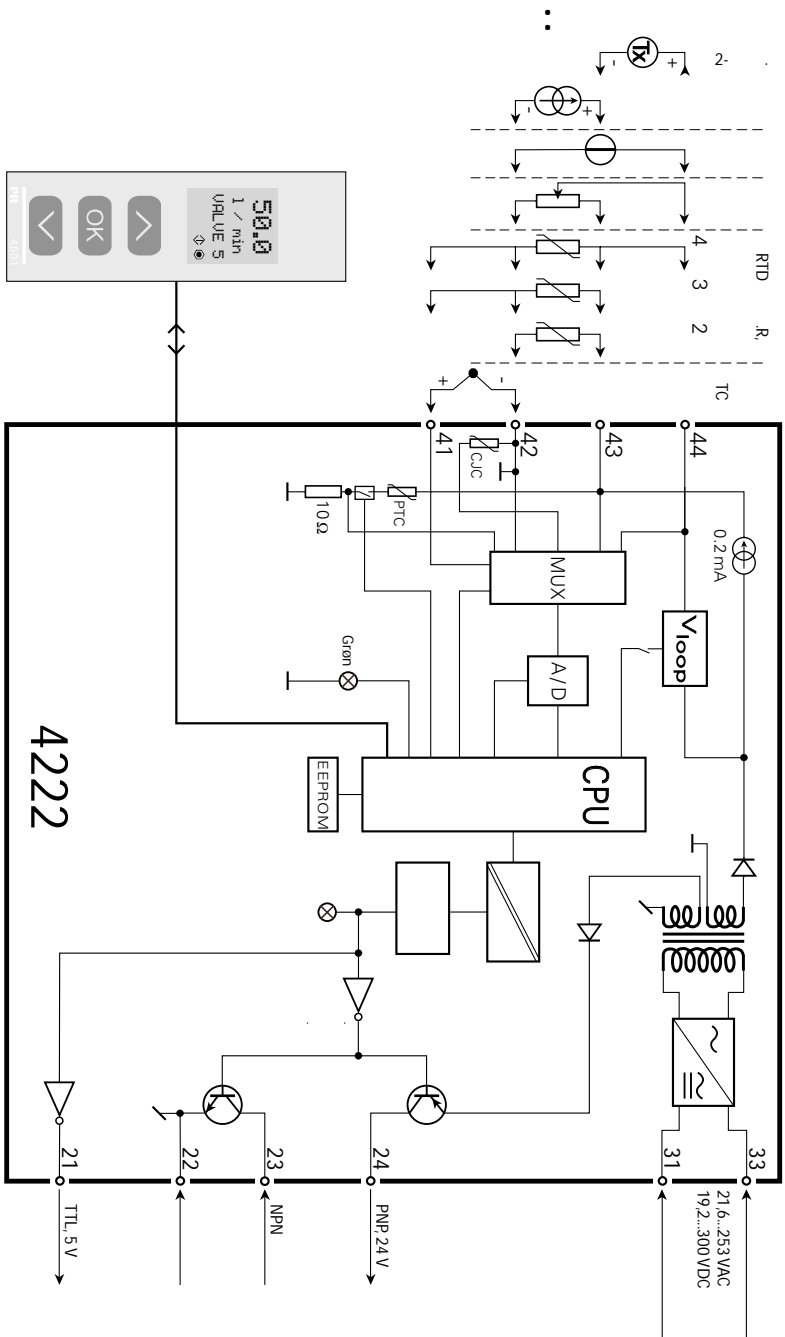
(.....), RTD 50 Ω
, RTD 0,2 mA
(3- / 4-), RTD < 0,002 Ω / Ω
, RTD
, RTD < 15 Ω

(SE.BR, SE.SH):			
CURR	(4...20 mA)	SE.BR	<= 3,6 mA; >= 21 mA
-	, SE.BR 3-	SE.BR	> .126 kΩ
.R	0...800 Ω	SE.BR	> .875 Ω
LIN.R	0...10 kΩ	SE.BR	> .11 kΩ
		SE.BR	> .750 kΩ / (1,25 V)
	RTD: 2-, 3- 4-	SE.BR	> .15 kΩ
	SE.SH Pt10, Pt20 Pt50	SE.SH	< .15 Ω

(IN.LO, IN.HI): A/D			
VOLT	0...1V / 0,2...1V	IN.LO	< -25 mV
		IN.HI	> 1,2 V
	0...2,5 / 0,5...2,5 / 0...5 V / 1...5 V / 0...10 V / 2...10 V	IN.LO	< -25 mV
		IN.HI	> 12 V
CURR	0...20 mA / 4...20 mA	IN.LO	< -1,05 mA
		IN.HI	> 25,05 mA
.R LIN.R	0...800 Ω	IN.LO	< 0 Ω
		IN.HI	> 1075 Ω
	0...10 kΩ	IN.LO	< 0 Ω
		IN.HI	< 110 kΩ
- POTM	= 0%, = 100%	IN.LO	< -0,5 %
		IN.HI	> 100,5 %
P	/ RTD	IN.LO	< - - - -2°C
		IN.HI	> - - - +2°C

	CJC	CJ.ER	CJC
	FLASH	FL.ER	FLASH
	4501 / 4222	NO.CO	
	4501	TY.ER	1) .4222
1) /			





4501

0000 - 9999

(.)
 SE.BR (sensor break,) SE.SH ().
 (' ')
 IN.LO () IN.HI ()
). 3
 4 - , COM
 (), 4501,
 /

2008.
 "lang.setup" 7
 UK (), DE
 (), FR (), IT (), ES (), SE () DK ().

13 Hz
 1 Hz

4501
 CJ.ER – CJC CJC
 FL.ER – Flash-
 NO.CO –
 IN.ER –
 TY.ER – 4501

" ("yes") "adv.set".

TAG- 6 : 3
 (, TAG-).

(.).

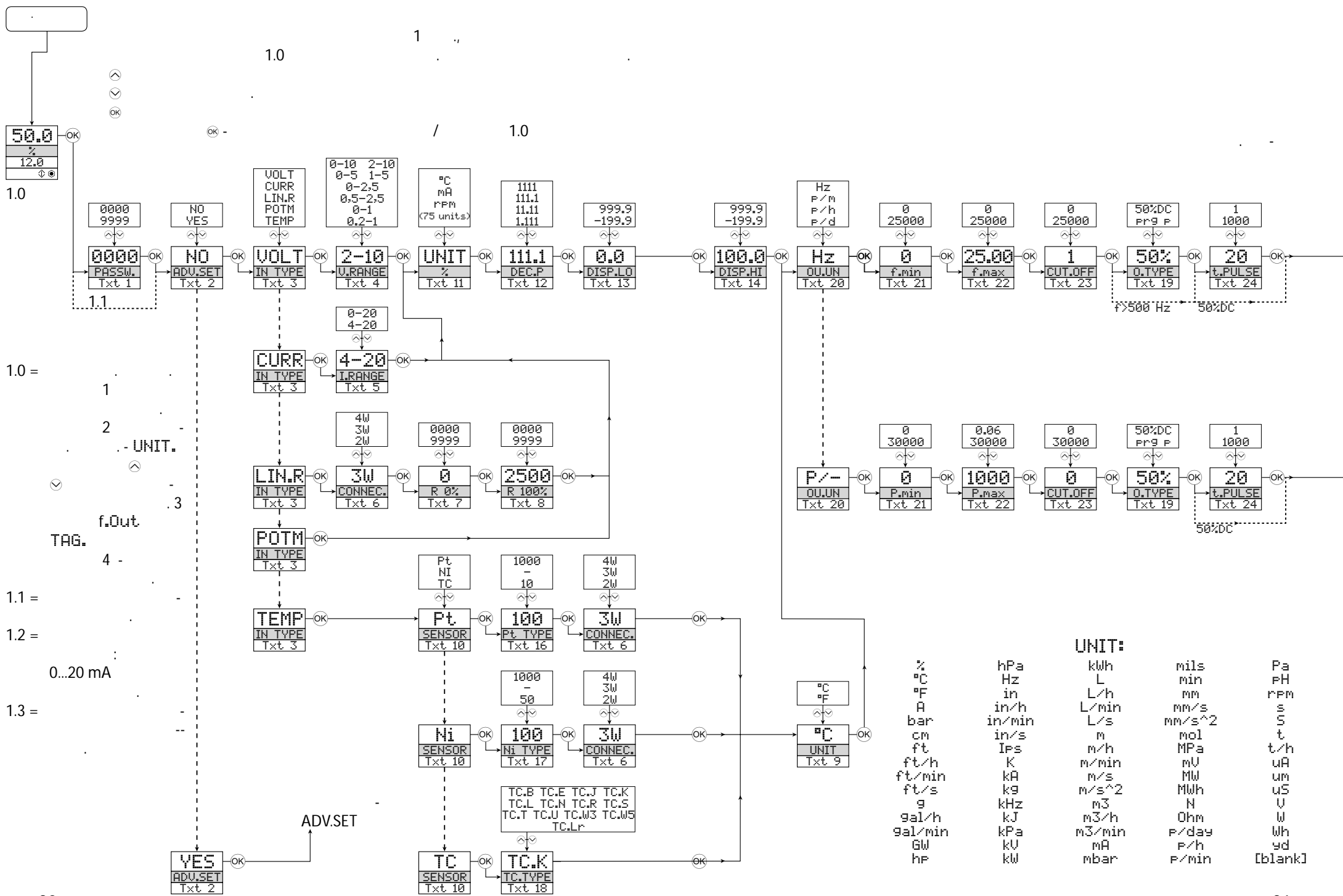
"UNIT"

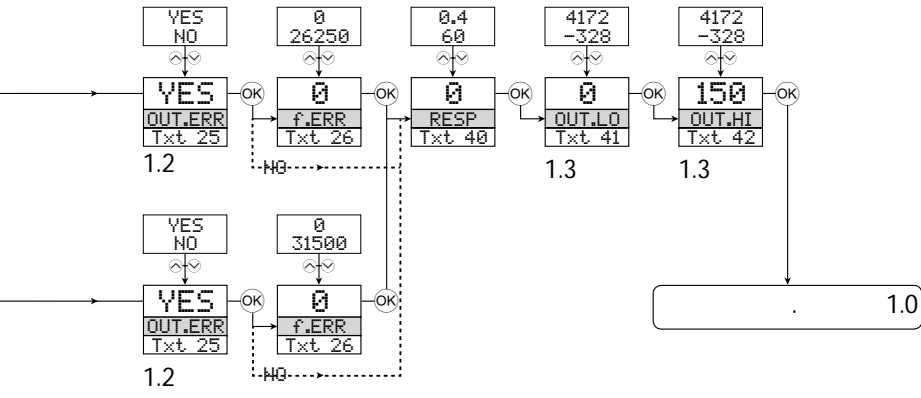
2- : 2
 (0%),
 (100%),

" "

: " " "EN.SIM",

"OK"

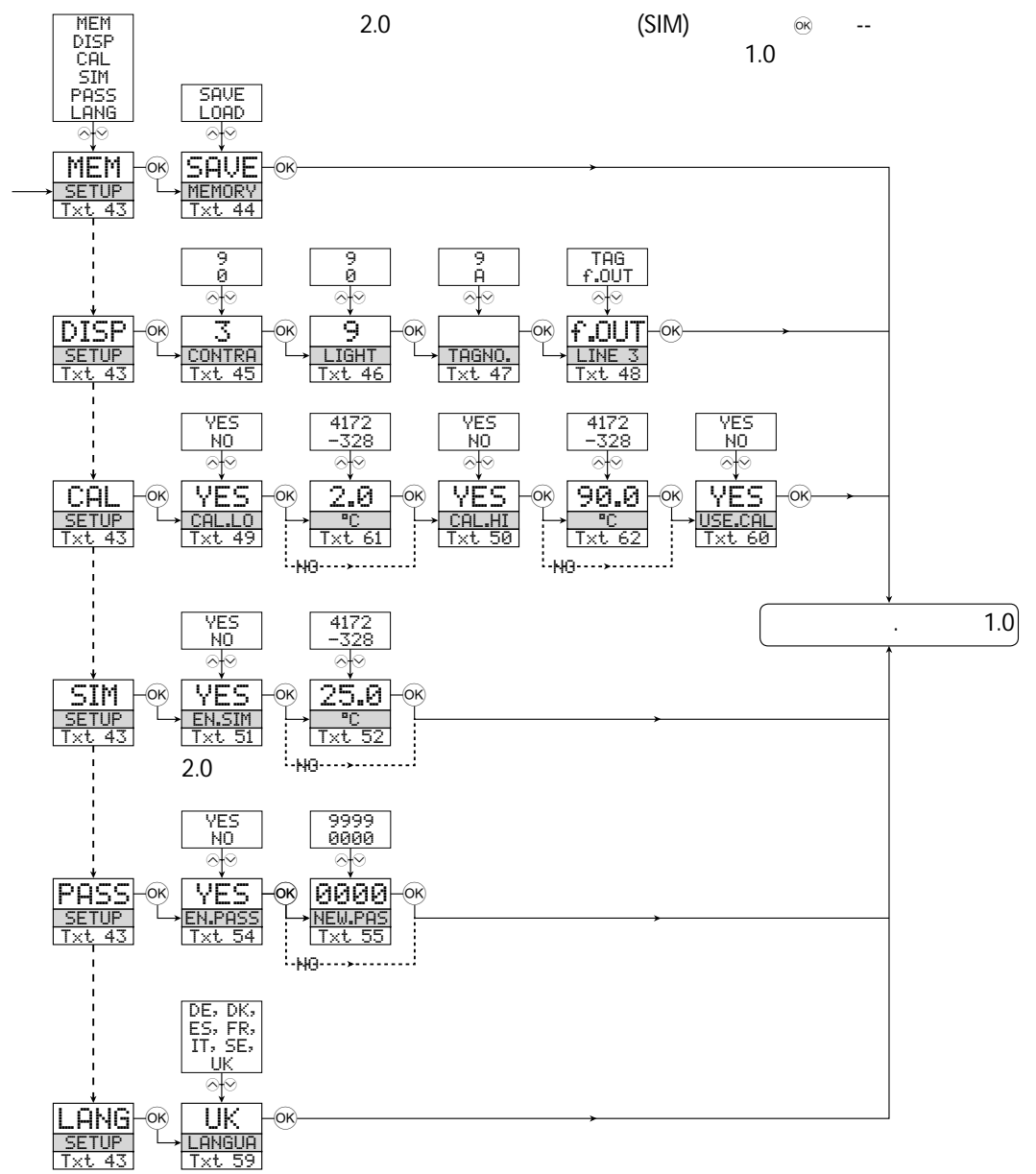




1.2 =
0...20 mA

1.3 =
--

(ADV.SET)



[01]
[02]
[03]

[19] ?
[20]

50%
Hz
/
/
/

[04]

0.0-1 V
0.2-1 V
0-2.5 V
0.5-2.5 V
0-5 V
1-5 V
0-10 V
2-10 V
0-20 mA
4-20 mA

[21]
[22]
[23]
[24]
[25]

0%
100%

?

[05]

[26]
[40]
[41]
[42]
[43]

[06]

2-
3-
4-

[07]

0%
100%

[08]
[09]

F

[44]

[10]

Ni-
Pt-

[45]
[46]
[47]
[48]

TAG - .6

3

[11]

TAG

3

?

[12]

[13]

[14]

[16]

Pt10
Pt20
Pt50
Pt100
Pt200
Pt250
Pt300
Pt400
Pt500
Pt1000
Ni50
Ni100
Ni120
Ni1000
TC-B
TC-E
TC-J
TC-K
TC-L
TC-N
TC-R
TC-S
TC-T
TC-U
TC-W3
TC-W5
TC-Lr

[49]
[50]
[51]
[52]
[54]
[55]
[59]
[60]
[61]
[62]

?

?

[17]

[18]

RU ▶ PR electronics A/S

Ex-

STREAM-SHIELD,

»Signals the Best« -

Филиалы

France -
PR electronics Sarl
Zac du Chêne, Activillage
4, allée des Sorbiers,
F-69673 Bron Cedex
sales@preelectronics.fr
tel. +33 (0) 4 72 14 06 07
fax +33 (0) 4 72 37 88 20

Germany -
PR electronics GmbH
Bamlerstraße 92
D-45141 Essen
sales@preelectronics.de
tel. +49 (0) 201 860 6660
fax +49 (0) 201 860 6666

Italy -
PR electronics S.r.l.
Via Giulietti, 8
IT-20132 Milano
sales@preelectronics.it
tel. +39 02 2630 6259
fax +39 02 2630 6283

Spain -
PR electronics S.L.
Avda. Meridiana 354, 9^ºB
E-08027 Barcelona
sales@preelectronics.es
tel. +34 93 311 01 67
fax +34 93 311 08 17

Sweden -
PR electronics AB
August Barks gata 6A
S-421 32 Västra Frölunda
sales@preelectronics.se
tel. +46 (0) 3149 9990
fax +46 (0) 3149 1590

UK -
PR electronics UK Ltd
Middle Barn, Apuldram
Chichester
West Sussex, PO20 7FD
sales@preelectronics.co.uk
tel. +44 (0) 1243 776 450
fax +44 (0) 1243 774 065

USA -
PR electronics Inc
11225 West Bernardo Court
Suite A
San Diego, California 92127
sales@preelectronics.com
tel. +1 858 521 0167
fax +1 858 521 0945

Головной офис

Denmark -
PR electronics A/S
Lerbakken 10
DK-8410 Rønne
www.preelectronics.com
sales@preelectronics.dk
+45 86 37 26 77
+45 86 37 30 85



QUALITY SYSTEM AND ENVIRONMENTAL MANAGEMENT SYSTEM
DS/EN ISO 9001
DS/EN ISO 14001

